



# HUMAN-POWERED HANDPUMPS FOR WATER LIFTING

## Introduction

This technical brief outlines the main types of hand pumps currently used for domestic and community water supply. The purpose of this Technical Brief is to provide basic features of each and suggest their potential use. A separate technical brief is available discussing human and animal powered water lifting for irrigation.

Hand pumps are capable of lifting relatively small amounts of water from depths of up to 100 metres. They are widely used in places where access to other potential water pumping power sources is constrained; where financial resources available for investment, operation and maintenance are limited; and where there is a relatively limited domestic water requirement. Hand pumps are relatively easy to install and simple to operate making them one of the most commonly used water-lifting technologies.

This technical brief provides guidance on the key criteria that needs to be taken into account when selecting a hand pump and discusses the applicability of different types to specific local conditions.

## Selection criteria for human powered water lifters

*Table 1* provides a summary of the technical, financial, economic, institutional and social questions that need to be answered when selecting a hand pump for domestic or communal water supply.



Figure 1: Water pumping in Sudan.  
Photo: Guy Whitmore / Practical Action Sudan.

technical brief

Criteria	Key Questions	Important Points to Note
<b>Technical Aspects</b>		
Lift height and yield	<p>How much water does the community need?</p> <p>How high does the lifter have to raise the water?</p> <p>How deep is the groundwater and is it likely to fall in future due to over-use?</p>	<p>Water consumption is usually estimated at 15-60 litres/person/day for rural water supply projects.</p> <p>The maximum flow capacity of the hand pump should be matched to community demand. (Pump flow rates are given by the flow-rate/lift-height, or "Q/h", curve, usually supplied by the manufacturer.) The choice of hand pump should anticipate growth in demand and any hence any potential drops in groundwater levels.</p>
Water Quality Limitations	Are there any water quality limitations which need to be taken into account?	Although most pumps are fitted with a strainer/sieve to prevent sand or sediment in the water causing pump damage, some pumps are particularly sensitive to these particles and hence their use with water with a high proportion of solids will lead to frequent breakdowns.
Oil Conditions	<p>What are the local soil conditions?</p> <p>Can you access water using a hand-dug well or is drilling required?</p>	Where there is very rocky soil a borehole will usually need to be drilled to reach the groundwater.
<b>Criteria</b>		
<b>Key Questions</b>		
<b>Important Points to Note</b>		
<b>Technical Aspects</b>		
Operators	<p>Is the lifter suitable and acceptable to the people who will operate it?</p> <p>Is the operation ergonomic (comfortable to use) and realistic for the group responsible for water collection?</p> <p>Are there health and safety considerations, such as dangerous machinery or risk of contamination?</p>	<p>The choice of pump should take into account which group of people are tasked with water collection. In many cases this women and children undertake this activity. It is therefore important to determine if average and maximum handle forces required are realistic for these two groups.</p>
<b>Financial and Economic Aspects</b>		
Capital Cost	<p>What is the initial cost of the water lifter?</p> <p>Does the village have sufficient funds or is a loan required?</p>	
Material and Manufacturing Costs	Can the lifter be manufactured using local skills and materials?	
Operating Costs	<p>What is the operating cost of the lifter?</p> <p>Does the village have sufficient manpower to operate the lifter for all the time it is needed?</p>	
Maintenance Costs	<p>What is the cost of maintaining/ repairing the lifter?</p> <p>Are the skills to maintain/ repair the water lifter available locally?</p> <p>Are spare parts available and affordable?</p> <p>How often is the lifter likely to need maintenance and/or repair?</p> <p>How long will repairs take and what will the villagers do in the meantime?</p>	<p>Maintenance is an integral part of lifter management. For more complicated designs, such as the deep-well pumps, it is important to carry out preventative maintenance. Serious problems can be avoided by undertaking regular inspections and servicing of the mechanical parts. Wear and tear will be less severe this way and any problems will be solved before they cause major damage.</p>
Life expectancy	<p>How long is the lifter expected to last before it has to be replaced?</p> <p>How resistant is the lifter to vandalism or</p>	

# technical brief

Criteria	Key Questions	Important Points to Note
	abuse?	
<b>Institutional and Social Aspects</b>		
Community	<p>Is there a community organisation capable of overseeing operation, maintenance and management of the device and the water?</p> <p>Will the users be instructed how to use and look after the device?</p>	<p>The lifter should be suitable for Village Level Operation and Maintenance (VLOM) or Management of Maintenance (VLOMM). This reduces the reliance of villagers upon large institutions to sustain the water supply.</p>

Table 1: Checklist for water lifting device selection.

## Types of human-powered water lifters

Human Powered Water Lifters can be split into two categories, those designed to raise **groundwater**; and those designed to lift **surface water**.

- **Groundwater** is water that flows or seeps downward through the earth filling up the spaces between soil, sand and rock to form a saturated zone. The upper surface of this saturated zone is called the “water table.” The “water table” may be just below the surface like a spring or oasis or it may be over 100 metres down. The only way to get access to this water is by digging and/or drilling.
- **Surface Water** is water present in depressions, lakes, rivers, reservoirs, and oceans. Water lifting for domestic and community water supplies is most commonly related to raising groundwater. This Technical Brief therefore focuses upon groundwater. Water lifting from surface water sources is most often related to irrigation, which is covered in the Technical Brief *Human- and Animal-Powered Water Lifters for Irrigation*.

## Open-well pumps

The simplest and cheapest method of lifting groundwater remains the rope and bucket in a wide, shallow well. Open wells are usually lined with brick, stone or concrete to retain the well walls. This type of well can operate up to a depth of 100 metres, although they rarely exceed 45 metres. The job of drawing water from the well can be made easier by adding a “windlass” (a horizontal cylinder with a winch which can be turned to raise the bucket on a rope) or a “shadouf” (an upright frame with a long pole suspended on top with the bucket hanging from one end and a weight which serves as the counterpoise of a lever at the other.)



Figure 2: A well using a windlass and bucket to extract water for human and animal consumption. A dedicated livestock drinking trough separates the animals' water from the humans' water in Turkana, Kenya. Photo: Justine Williams / Practical Action

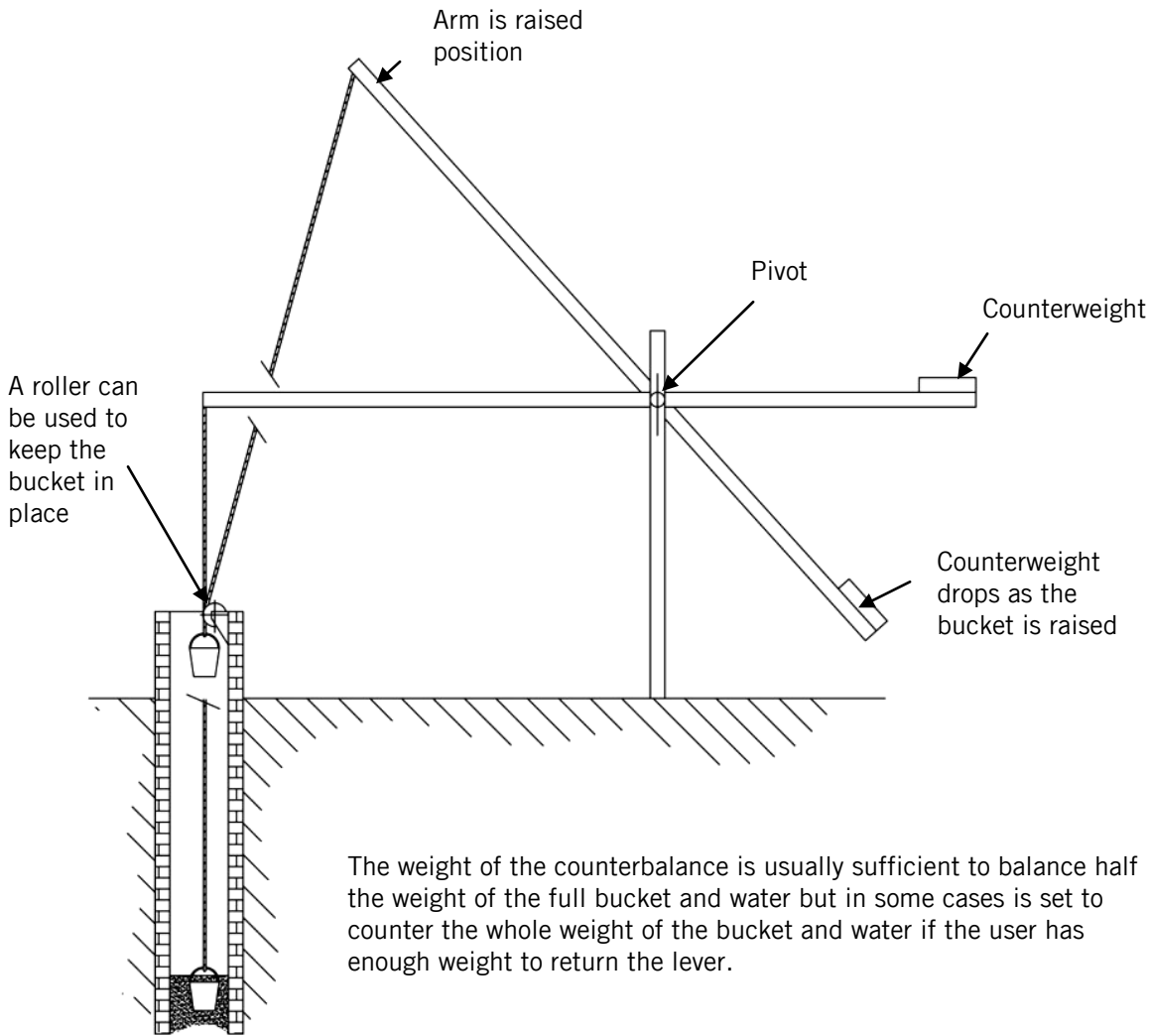


Figure 3: A counterpoise lifting device, also known as a shadouf, over an open well. A counterbalance helps lift the bucket of water.

Illustration: Neil Noble / Practical Action

However, when the water table is very deep or where the ground is very hard rock and groundwater needs to be accessed via a borehole, it is usually necessary to install a **hand pump** to raise the water. Introducing hand pumps also allows the water source to be sealed and reduces the potential for source contamination during water collection. Groundwater hand pumps can be split into two categories, **shallow-well** and **deep-well**.

### Shallow-well pumps

The following section presents the main type of pump used for shallow-well water lifting.

A **reciprocating suction pump** has a plunger or piston which moves up and down in a two-valve closed cylinder. As the plunger moves upward it forces water out through the outlet valve and at the same time draws water into the cylinder through the inlet valve. Moving the plunger down brings it back to its starting position.

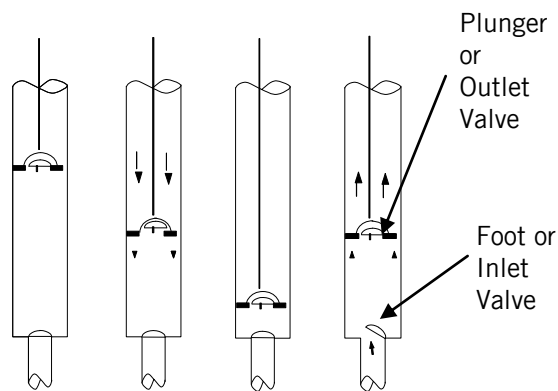


Figure 4: How most types of pump cylinders work.

technical brief

The reciprocating suction pump has the pump cylinder situated above ground or near the surface. Pulling up the plunger lowers the atmospheric pressure in the cylinder (creates suction) causing

the atmospheric pressure outside the cylinder to push the water upwards. The main limitation of this pumping method is that the atmospheric pressure difference between the inside and outside of the cylinder is only large enough to raise water up to a maximum of 7m from the water table. If the shallow well is over used, the level of the water-table may fall as the underground water reservoir is depleted. If the water table level falls to a depth of greater than 7 metres, the pump will no longer work.

The following section describes three different types of reciprocating suction pump used for raising water from shallow-wells of up to 7 m in depth i.e. the **piston pump**, the **rower pump** and the **treadle pump**.

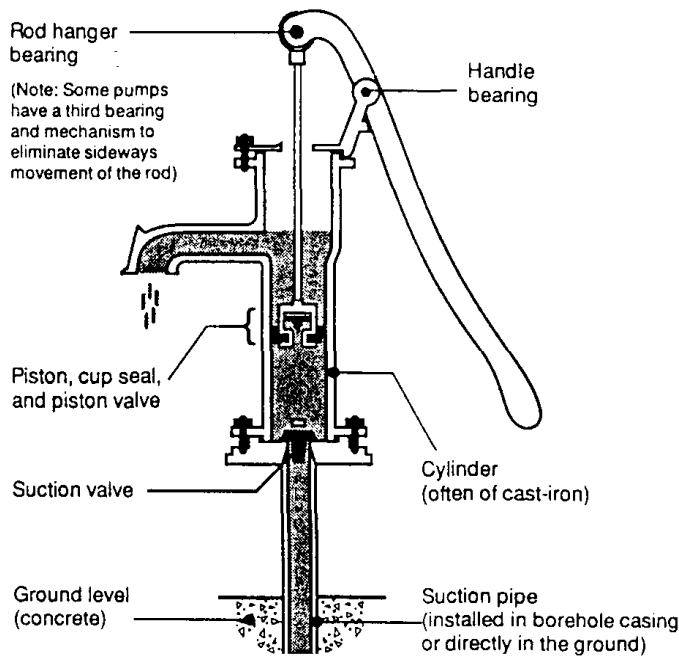


Figure 5: Shallow-well piston pump

### Shallow-well piston pump

Piston pumps, based on the same design shown in *Figure 4*, are relatively cheap and are widely used as household hand pumps.

Traditional piston pumps have to be “primed” before use which means pouring water into the cylinder so that the seal around the piston is airtight. It is very important that clean water is used for priming, to avoid contamination of the pump and the spread of water-borne diseases.

More recent VLOM designed piston pumps using better suction valves have removed the need for priming.

The shallow-well piston pump can be adapted to deliver water to a higher elevation than the pump e.g. to a water storage tank or to deliver water under pressure to village water mains. This “force” pump uses the same operating principle as the piston pump but the design is slightly altered so that the top is airtight. This is done by putting a valve on the spout and adding a “trap tube” and air chamber which maintains the pressure (and hence flow) during the up-stroke. Typical elevations achieved using force suction pumps are between 5 – 10 metres.

Advantages	Disadvantages
Relatively simple maintenance (main pump components positioned above ground)	Limited to wells of less than 7 metres in depth
Large piston diameter gives fast water delivery (24-36 litres/min at 7 m depth)	Pump priming may cause water contamination.
	Most designs have maximum usage of around 50 people/day

technical brief

### Rower

The rower pump is a simpler and cheaper version of the traditional reciprocating suction pump. The pump is set at an angle of 30° and water is lifted through a rowing action.

Its simple design means it can be easily manufactured and maintained using locally available skills and materials.

This type of pump also needs to be primed before used.

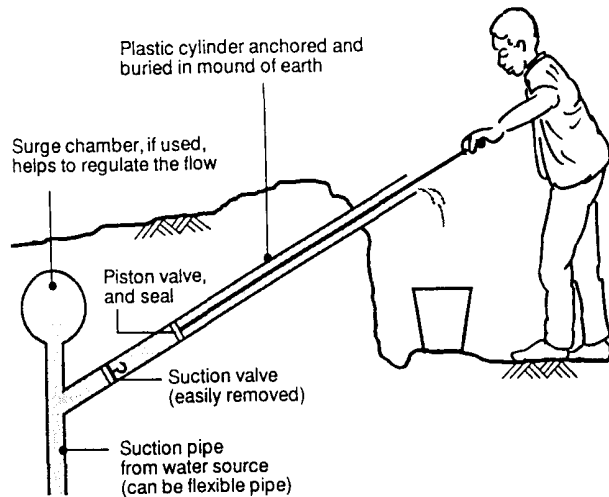


Figure 6: Rower pump

Advantages	Disadvantages
Cheaper construction than most reciprocating suction and lift pumps	Limited to wells of less than 7 metres in depth
Maintenance using local skills and materials	Pump priming may cause water contamination.
Long piston stroke gives fast water delivery (up to 90 litres/min at 4 metres depth)	Upward facing delivery tube may lead to water contamination.
	Most designs have maximum usage of around 50 people/day

### Treadle pump

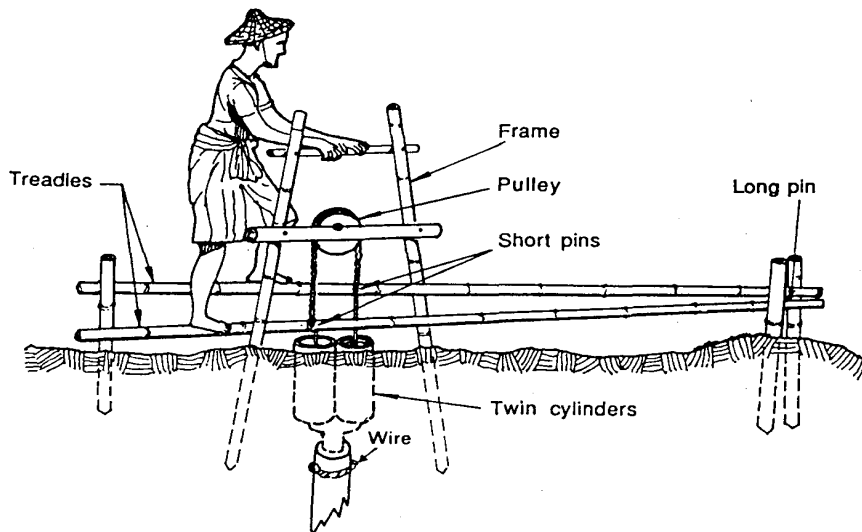


Figure 7: Treadle pump

A **treadle pump** is another type of suction pump designed to lift water from a depth of 7 metres or less. The treadle pump has a lever pushed by the foot to drive the pump. Because leg muscles are stronger than arm muscles, this design is less tiring to use than other human powered water lifters. Most of the parts can be manufactured locally hence the treadle pump is relatively simple and inexpensive to build.

technical brief

Advantages	Disadvantages
Simple and inexpensive construction Less intensive operation (foot operated) Maintenance uses local skills and materials High water delivery (up to 100 litres/min at 4 metres depth)	Limited to wells of less than 7 metres in depth

### Comparison of Different Types of Shallow-Well Pump

Table 2 provides a comparison of the shallow well suction pumps discussed in the previous section. All of these pumps can only be used to raise water from depths of up to 7 metres.

Type of Pump	Water Delivery	Typical Use	Application	Construction	Operation & Maintenance
Piston	24-36 litres/min at 7 m depth	Shallow Well	Household and Small Community	Industrial	Village Level with local skills and purchase of spare parts
Rower	up to 90 litres/min at 4 metres depth	Shallow Well Open Well Surface Water	Small Community and Irrigation	Traditional	Village Level with local skills and materials
Treadle	up to 100 litres/min at 4 metres depth	Shallow Well Open Well Surface Water	Small Community and Irrigation	Basic / Traditional	Village level with local skills and materials

Table 2: Comparison of different types of shallow well pump

### Deep-well pumps

Deep-well pumps can be used to raise water from depths of over 7 metres and in some cases can lift water from wells as deep as 180 metres. The following section describes five different types of pumps used to raise from deep-wells i.e. the **direct action pump**, the **rope pump**, the **diaphragm pump**, the **helical rotor pump** and the **deep-well piston pump**.

#### Direct action (or "direct drive") Pump

The direct action pump design (Figure 8C) replaces the narrow pump rod present in the reciprocating piston pump with a hollow plastic pipe. This pipe displaces water as the pump handle is pushed down. During the up-stroke, the valve on the piston closes and water is lifted up. The pump is capable of pushing water up the rising main during both strokes.

The direct action pump depends upon the strength of its user to lift the column of water in the pipe. However, because the pipe is hollow, it floats, so in practice the handle does not have to be pulled up so hard. The direct action pump is capable of lifting water from a depth of up to 12 metres at a rate of approximately 26 litres/min. Compared to piston hand pumps, this type of pump is relatively cheap to buy and simple to install and maintain.

Advantages	Disadvantages
Relatively cheap, and easy to manufacture. Maintenance facilitated by easy access to piston which can be pulled up through the rising main.	Limited to depths of up to 12 m. Most designs have a maximum usage of around 50 people/day.

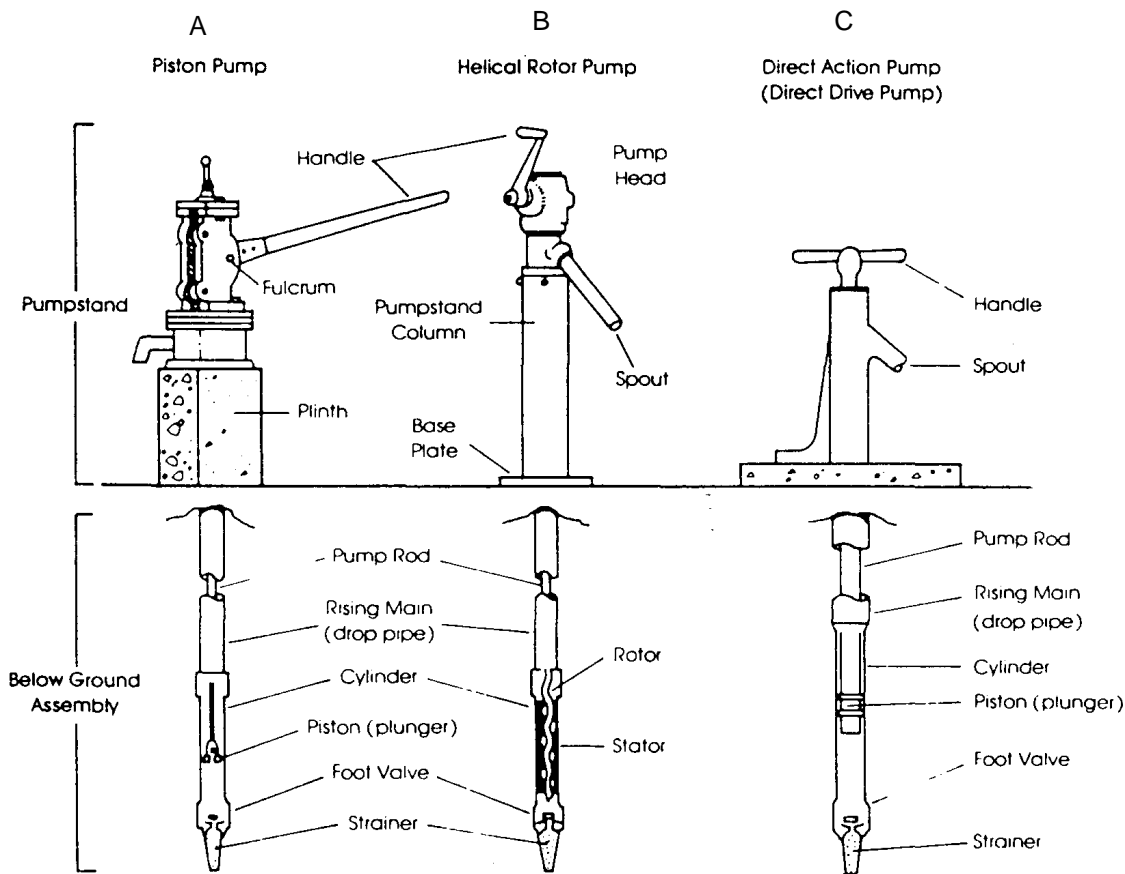


Figure 8: Types of deep-well pumps – deep-well piston, helical rotor and direct action

### Rope pump

The **rope pump** is a **rotary pump** which can lift water from depth the average yield is calculated as 10 litres/ min. They operate at depths of up to 10 m with a water yield of 40 lit used for household and small community water supply.

The main wheel is turned by hand in the direction indicated in Figure 9 and feeds the rope and washers down the well shaft, over the guide pulley and through the riser pipe to the discharge point. The washers are an exact fit with the riser pipe and force water up towards the surface.

Rope and washer pumps require less maintenance than other equivalent pumps. Their simple design means that repairs can often be done by users and require few spare parts. Models can use parts that incorporate commonly available materials such as PVC pipe, rope, and old car parts.

The main disadvantage of this type of pump is that it is not 100% closed which may lead to well contamination. In addition, since this is not a pressurised system it may take time to receive water from the well with the water falling back to the level of the bottom of the well when not in use.

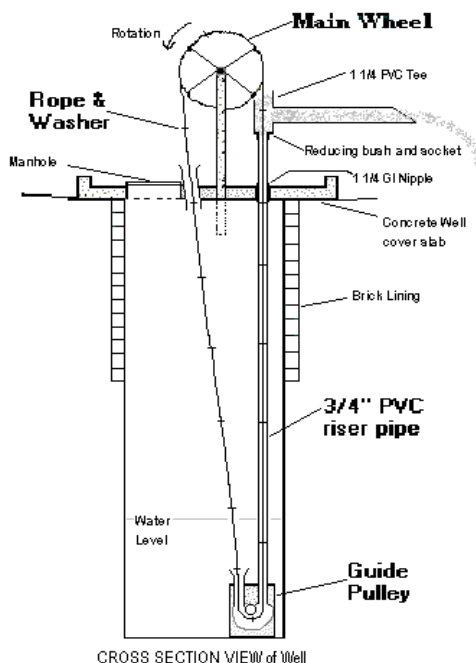


Figure 9: Rope and washer pump.

technical brief



Advantages	Disadvantages
Relatively cheap, and easy to manufacture (for wells down to 35 m rope pumps are five times cheaper than piston lift pumps.) Maintenance uses local skills and materials	Operation limited to depths of up to 35 m. Initial water delivery is relatively slow at greater depths. Water contamination possible because well is not totally sealed. Frequent simple maintenance required

**Diaphragm pump**

The diaphragm pump is a deep-well pump which can operate at depths of up to 70 metres. The diaphragm pump delivers 25 litres/ min at 45 metres depth.

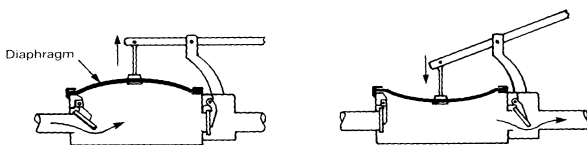


Figure 10: Diaphragm pump

The flexible diaphragm is situated inside a cylindrical pump body at the bottom of the well. The pump operates by the expansion and contraction of the flexible diaphragm which forms one wall of a closed chamber. The diaphragm is expanded and contracted using a secondary piston pump, which in turn is moved by a foot pedal or hand lever.

The closed chamber has an inlet and outlet valve. On the contraction of the diaphragm the inlet valve opens to draw water into the closed chamber and the outlet valve closes. When the diaphragm is expanded the inlet valve closes and the outlet valve opens to pump water up a flexible rising main.

The main disadvantage of this pump is that replacement diaphragms are required at relatively short intervals. These diaphragms are expensive and can make the maintenance costs of this pump prohibitive for many village water management organisations. In addition, this type of pump is not suitable for water with sediment or sand particles in it since these will lead to pump breakdown.

Advantages	Disadvantages
Suitable for deep well applications up to 70 metres in depth. Several pumps can be installed in the same well or borehole. Maintenance facilitated by easy access to main wearing parts in the upper cylinder.	Relatively expensive to manufacture. Replacement diaphragms expensive and required at short intervals. Not suitable for water with sediment or sand particles which damage the pump.

**Helical rotor (or "progressive cavity") pump**

The helical rotor pump is a **rotary pump** which can lift water from depths of up to 100 metres. Typical water yields at 45 metres are around 16 litres/ min. Instead of a piston, the helical rotor pump has a metal "rotor" which has a corkscrew shape and which turns inside a rubber "stator" or sleeve (see Figure 8B). There is a continuous seal between the two parts of the pump and the turning action forces the water upwards. Instead of a pump lever there is one or two turning handles. The faster the handles are turned the more water is obtained from the well.

The pump is relatively reliable. Nevertheless a key disadvantage is that pump maintenance requires that the whole pump be lifted and dismantled using specialist equipment and hence it is not suitable for maintenance by a village level organisation.

Advantages	Disadvantages
Suitable for deep well application up to 100 metres in depth.	Expensive to manufacture. Maintenance requires specialist equipment and skills. Not suitable for village level organisation maintenance.

### Deep-well piston pump

The design of the deep-well piston pump is very similar to that of the shallow-well piston pump. The main difference is that the pump cylinder is situated deep underground at a point below the water table. The cylinder is connected to the pump handle via a long rod called a pump-rod (Figure 8A). This type of pump is also known as a **reciprocating "lift" pump**. This pump is capable of lifting water from depths of up to 100 metres. Typical yields from this type of deep-well pump at 45 metres depth vary from around 11-17 litres/min. Like reciprocating "suction" pumps, lift pumps can be converted into force pumps by adding a spout valve, air chamber and trap tube.

Since the cylinder and plunger are located under ground, the maintenance and repair of these pumps is usually more complicated than that of shallow-well piston pumps. It is necessary to dismantle the pump, removing the pump-rod in order to access the cylinder. Sometimes the outside pipe or "rising main" is of a larger diameter so that it is possible to pull the whole cylinder up to the surface for repair without taking the pump apart. This type of pump is generally more expensive but has the advantage that a village level organisation can take charge of pump maintenance.

Advantages	Disadvantages
Suitable for a wide range of well depths including application in wells over 100 metres deep. Design can be strong enough to cope with intensive use.	Accessing the piston and foot valve during maintenance in traditional piston pumps is relatively difficult and may require specialist lifting equipment. Newer piston pumps where cylinder can be removed separately from large diameter rising main can be relatively expensive.

### Selecting a water-lifter

The main questions that need to be answered to determine the most appropriate water lifter to be used for domestic and community water supply are:

- where does the water come from (source); and
- where does it need to go (destination)

Figure 11 illustrates the main water sources and destinations and Table 3 summarises the suggested option for each combination of source and destination.

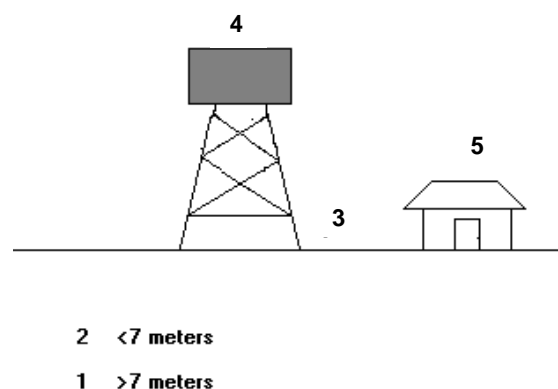


Figure 11: Main sources and destinations for water

Destination	Source	
	1. (> 7m)	2. (<7m)
3 (Surface)	Deep-well Lift Pump	Shallow-well Suction Pump or Open-well
4 (Tank)	Deep-well Lift & Force Pump	Shallow-well Suction & Force Pump
5 (Village)	Deep-well Lift & Force Pump	Shallow-well Suction & Force Pump

Table 3: Water-lifter options

### Comparison of water-lifting device application and performance

Table 4 provides an assessment of the different technologies considered in this technical brief. A large number of hand pumps have been designed according to the principles of Village Level Operation and Maintenance (VLOM) i.e. the water lifting device should be:

- Easy to maintain by a village caretaker requiring minimal skills and few tools;
- Manufactured in-country, primarily to ensure the availability of spare parts;
- Robust and reliable under field conditions; and
- Cost effective.

These criteria along with that of depth of the groundwater and the water yield from the pump are considered below. It should be noted that as lift height increases, flow rate falls, so at maximum lift, the *actual* flow rate will be much less than the *maximum* flow rate. Flow rates are given for one person operating the pump. The values given in the table are approximate and should be taken only as a rough guide.

Type	Manufacture	Investment Cost	Village Level Operation and Maintenance (VLOM)	Max. lift height (metres)	Typical flow rate (l/min)	Typical lift height (metres)
<b>OPEN WELL</b>						
Shadouf	Basic/ Traditional	Low	Yes	4	60	2
Rope & Bucket	Basic/ Traditional	Low to Medium	Yes	100	15	10
<b>SHALLOW WELL</b>						
Suction piston	Industrial	Low to Medium	Yes	7	24-36	7
Rower	Traditional	Low to Medium	Yes	7	50	4
Treadle	Basic/ Traditional	Low to Medium	Yes	7	100	4
<b>DEEP WELL</b>						
Direct action	Traditional/ Industrial	Medium to High	Yes	12	15-26	12
Rope	Basic/ Traditional	Low to Medium	Yes	35	40	10
Diaphragm	Industrial	High	No	70	30	10
Helical rotor	Industrial	Medium to High	No	100	16	45
Lift piston	Industrial	Low to High	Depends on design.	100	15-22	25
					11-17	45

Table 4: Technology Assessment

## References and resources

- [Human- and Animal-Powered Water Lifters for Irrigation](#) Technical Brief Practical Action
- [Handpumps](#) Technology Note WaterAid
- [Maintaining Handpumps](#) Technical Brief WEDC
- [VLOM pumps](#) Technical Brief WEDC
- [How to Make a Rope-and-Washer Pump](#) by Robert Lambert, Practical Action Publishing, 1990.
- [Rope Pump production and installation manual \(2,5MB\)](#) Practica Foundation
- *Impact Of The Rope And Washer Pump In A Water And Sanitation Project, Rift Valley Province, Kenya*, Angharad Hughes, Stephen Burgess and Andrew Trevett
- [Linking Technology Choice with Operation and Maintenance, Chapter 4 Water Lifting Devices](#), WHO, 2003
- [Smart Water Solutions: Examples of innovative low cost technologies for wells, pumps, storage, irrigation and water treatment](#), Netherlands Water Partnership, 2006
- *Water Lifting*, Drinking Water Supply Series, Volume 7, Erich Baumann, SKAT, 2000
- [Water Lifting Devices - A handbook](#) Third Edition by Peter Fraenkel and Jeremy Thake, Practical Action Publishing, 2006.
- [Water Lifting Devices](#), FAO Irrigation and Drainage Paper 43, PL Fraenkel, 1986
- [Water Pumping Devices - A Handbook 3<sup>rd</sup> Edition](#) by Peter Fraenkel & Jeremy Thake, Practical Action Publishing, 2006.

## Organisations

### IRC International Water and Sanitation Centre

P.O. Box 82327  
2508 EH The Hague  
The Netherlands  
Tel: +31 70 3044000  
Fax: +31 70 3044044  
E-mail: [general@irc.nl](mailto:general@irc.nl)  
Website: <http://www.irc.nl/>

The IRC International Water and Sanitation Centre (IRC) facilitates the sharing, promotion and use of knowledge so that governments, professionals and organisations can better support poor men, women and children in developing countries to obtain water and sanitation services they will use and maintain.

### Netherlands Water Partnership (NWP)

Netherlands Water Partnership  
Postbus 82327  
2508 EH The Hague  
The Netherlands  
Tel: 070 304 3700  
Fax: 070 304 3737  
E-mail: [info@nwp.nl](mailto:info@nwp.nl)  
Website: <http://www.nwp.nl/>

An independent body set up by the Dutch private and public sectors. They nationally coordinate water activities overseas and provide relevant information regarding these activities.

**Practica Foundation**

Oosteind 47  
 3356 AB Papendrecht  
 The Netherlands  
 Tel: +31-786150125  
 Website: <http://www.practicafoundation.nl/>  
 The Practica Foundation aims to facilitate research, development and commercial application of technology in the field of water and energy in developing countries. Technologies include:  
[Rope pump](#)  
[Motorized rope pump](#)  
[Volanta pump](#)  
[Treadle pump](#)

**WELL**

WEDC - Water, Engineering and Development Centre  
 Loughborough University  
 Leicestershire, LE11 3TU  
 United Kingdom  
 Tel: +44 (0)1509 228304  
 Fax: +44 (0)1509 211079  
 Email: [well@lboro.ac.uk](mailto:well@lboro.ac.uk)  
 Website: <http://www.lboro.ac.uk/well/>  
 Technical Briefs  
<http://www.lboro.ac.uk/well/resources/technical-briefs/technical-briefs.htm>  
 WELL is a resource centre which aims to promote envi and transitional countries.

**The World Health Organization**

Headquarters Office in Geneva (HQ)  
 Avenue Appia 20  
 1211 Geneva 27  
 Switzerland  
 Tel: +41 22 791 21 11  
 Fax: +41 22 791 3111  
 Website: <http://www.who.int>

**Manufacturers**

This is a selective list of suppliers and does not imply endorsement by Practical Action.

**Bombas de Mecate S.A.**

Technology Transfer Division,  
 P.O.Box 3352,  
 Managua,  
 Nicaragua.  
 Fax: +505 8566692  
 E-mail: [ropepump@ibw.com.ni](mailto:ropepump@ibw.com.ni)  
 Website: <http://www.ropepump.com>  
 Manufacture different types of rope pump.

**SKAT**

Vadianstrasse 42, CH-9000 St.Gallen, Switz  
 Tel: +41 71 228 54 54  
 Fax: +41 71 228 54 55  
 E-mail: [info@skat.ch](mailto:info@skat.ch)  
 Website: <http://www.skat.ch/>  
 An independent resource centre and consulting company. It is committed to sustainable development in developing countries and countries in transition.

**WaterAid**

Prince Consort House, 27-29 Albert  
 Embankment, London, SE1 7UB,  
 United Kingdom  
 Tel: +44 (0)20 7793 4500  
 Fax: +44 (0)20 7793 4545  
 E-mail:  
[technicalenquiry@wateraid.org.uk](mailto:technicalenquiry@wateraid.org.uk)  
 Website: <http://www.wateraid.org.uk>

**Mono Pumps Limited**

Martin Street,  
 Audenshaw,  
 Manchester  
 M34 5DQ,  
 United Kingdom  
 Tel: +44 (0)161 339 9000  
 Fax: +44 (0)161 344 0727  
 E-mail: [info@mono-pumps.com](mailto:info@mono-pumps.com)  
 Website: <http://www.mono.pumps.com>  
 Producers of helical rotor and piston lift device

# technical brief

**Consallen Group of Companies**

P.O. Box 2993,  
Sundury,  
Suffolk,  
CO10 0TY,  
United Kingdom  
Tel/Fax: +44 (0)1787 881115  
E-mail: [dvalen@compuserve.com](mailto:dvalen@compuserve.com)  
Website: <http://www.consallen.com/>  
Specialists in Rural Water Supply & VLOM Handpumps

**Prodorite (Pvt) Ltd**

21 Leyland Road,  
Arbennie  
Industrial Sites,  
PO Box 2887,  
Harare,  
Zimbabwe  
Tel: +263 4 663691/4  
Fax: +263 4 663696  
Products include hand pumps for wells,  
water storage tanks, Blair vent pipes and  
sanitary pans.

**Van Reekum Materials bv**

P. O. Box 98,  
7300 AB  
Apeldoorn,  
Netherlands  
Tel: +31 55 533 54 66  
Fax: +31 55 533 54 88  
E-mail: [info@reekum.nl](mailto:info@reekum.nl)  
Website: <http://www.vrm.nl/>  
Producers of a range of pumping equipment.

**SWS Filtration Ltd.**

The Bakers Chest,  
Hartburn,  
Morpeth,  
Northumberland  
NE61 4JB,  
United Kingdom  
Tel +44 (0)1670 772214  
Fax +44 (0)1670 772363  
E-mail: [swsfilt@dial.pipex.com](mailto:swsfilt@dial.pipex.com)  
Website: <http://www.swsfilt.co.uk/>  
Manufactures of Rower and other  
low-technology pumps.

**S. K. Industries**

Shree S.K. industries, 10,  
Abhishek Plaza  
Exhibition Road  
Patna 800001  
India  
91-6115-227671  
91-6115-224665  
E-mail: [ski@sancharnet.in](mailto:ski@sancharnet.in) ,  
[handpumps@gmail.com](mailto:handpumps@gmail.com)  
Website: <http://skipumps.com/index.htm>  
Deepwell Handpump India Mark II and over 25  
different kinds of pumps.

**SPAS International**

J-220/31 Vishnu Gardens  
New Delhi - 110 018  
India  
Tel: +91 11 5914177  
Fax: +91 11 5418621  
E-mail: [spasintl@ndb.vsnl.com](mailto:spasintl@ndb.vsnl.com)  
Manufacturer and exporter of water deep well  
and shallow well hand pumps for rural areas  
Afridev, India Mark II, India Mark 111(VLOM),  
UNICEF approved VLOM 50, U3M Uganda  
Mark 3 handpump

# technical brief

This document was produced by Jane Olley for Practical Action in October 2008.

Practical Action  
The Schumacher Centre  
Bourton-on-Dunsmore  
Rugby, Warwickshire, CV23 9QZ  
United Kingdom  
Tel: +44 (0)1926 634400  
Fax: +44 (0)1926 634401  
E-mail: [infoserv@practicalaction.org.uk](mailto:infoserv@practicalaction.org.uk)  
Website: <http://practicalaction.org/practicalanswers/>

Practical Action is a development charity with a difference. We know the simplest ideas can have the most profound, life-changing effect on poor people across the world. For over 40 years, we have been working closely with some of the world's poorest people - using simple technology to fight poverty and transform their lives for the better. We currently work in 15 countries in Africa, South Asia and Latin America.